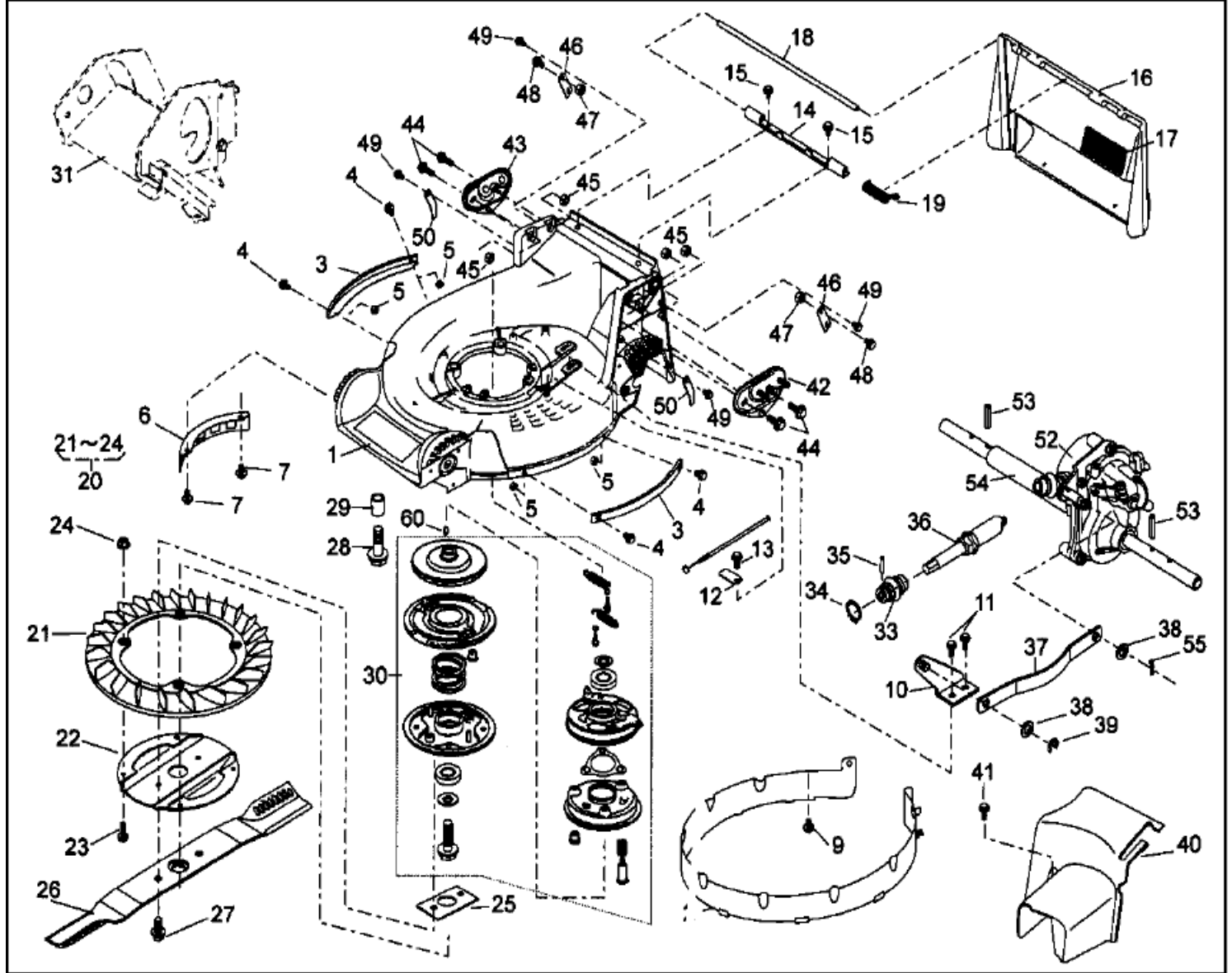


ESPLOSO RICAMBI SARP-KAAZ

LM5360HXA-PRO 479 code 620479

GARSS-CUTTING-PRO	Date : 07. Mar, 2014	Revision : 00	Page : 1/1
Brand : KAAZ	Model : LM5360HXA-PRO	Product Code : 620479	



GRASS-CUTTING-PRO

(A): LM5360HXA-PRO

Brand: KAAZ

Date: 7-Mar-2014

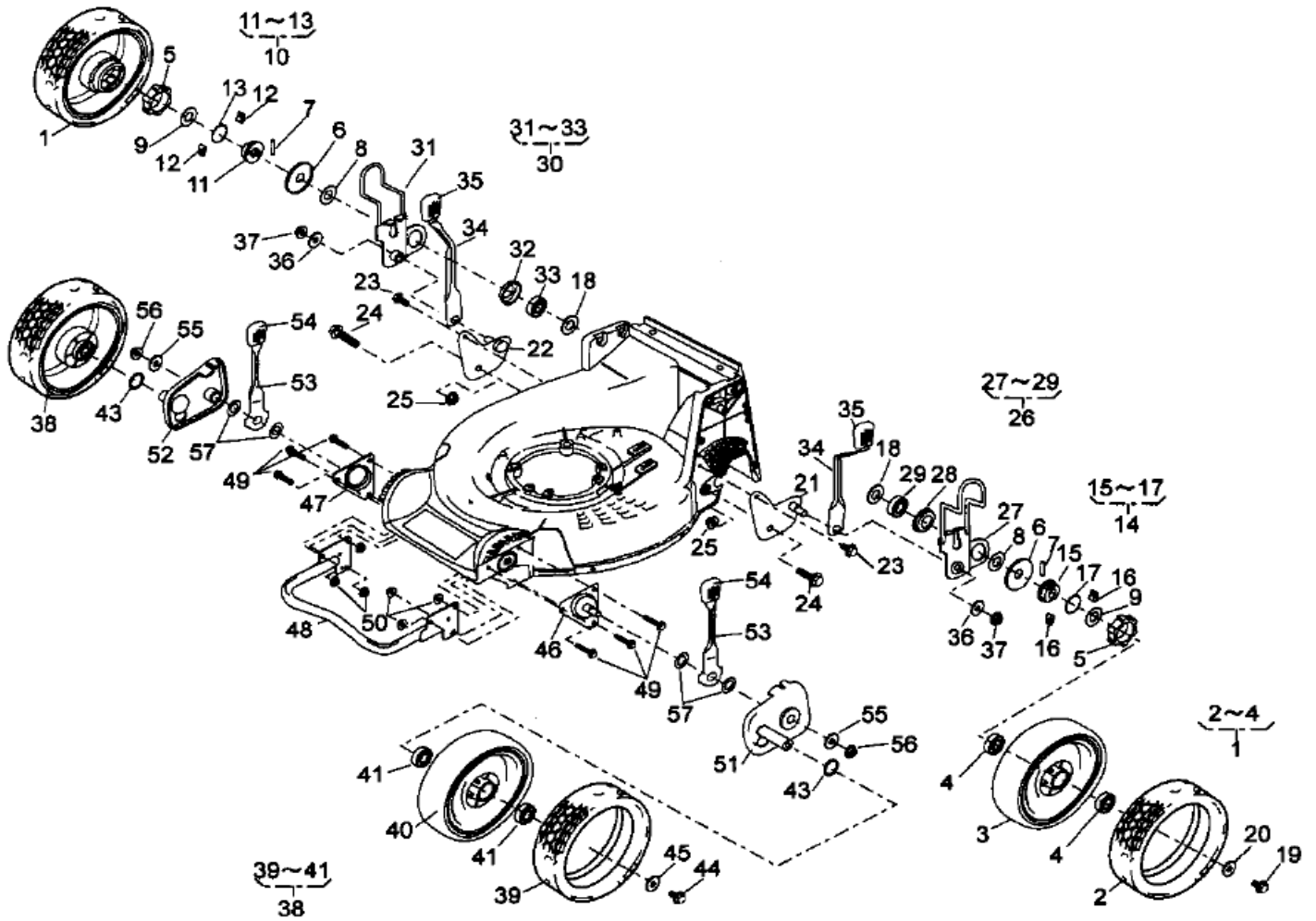
(B):

P.cd: 620479

Revision: 00

(C):

Ref.No	Parts.No	Parts.Name	Q'ty			Remarks	Recomm(%) Lot.100
			(A)	(B)	(C)		
1	51043-151-42	HOUSING	1				
2	36068-204	GUARD	1				
3	51090-117-09	PROTECTOR	2				
4	335L0616	FLANGE BOLT	4				
5	512L0600	HEXAGON NUT	4				
6	36065-180	COVER	1				
7	342L0612	FLANGE TAPPING BOLT	2				
9	342L0612	FLANGE TAPPING BOLT	1				
10	11006-155	STAY C.P.	1				
11	342L0612	FLANGE TAPPING BOLT	2				
12	11113-407	STAY	1				
13	342L0612	FLANGE TAPPING BOLT	1				
14	11113-292	STAY	1				
15	342L0612	FLANGE TAPPING BOLT	2				
16	36068-196-46	GUARD	1				
17	36080-149	RUBBER SHEET	1				
18	64014-324	SHAFT	1				
19	68013-336	SPRING	1				
20	71082-111	FAN ASS'Y	1				
21	51125-103	FAN	1				
22	11102-151	HOLDER	1				
23	31062-169	PRE-COAT LOCK BOLT	4				
24	579L0600	FLANGE NUT	4				
25	61024-208	SPACER	1				
26	91014-188	BLADE	1				
27	31057-197	HEXAGON BOLT	2				
28	31057-243	HEXAGON BOLT	4				
29	61024-142	SPACER	3				
30	71067-106	BRAKE A'Y	1				
33	91097-101	UNIVERSAL JOINT	1				
34	812V2000	C-SNAP RING	1				
35	717B0418	PARALLEL PIN	1				
36	71235-102	TORQUE LIMITER ASS'Y	1				
37	91049-129	CONNECTOR	1				
38	68036-280	WASHER (10.5x18x1.6)	2				
39	816V0800	E-SNAP RING	1				
40	36065-438	COVER	1				
41	342L0616	FLANGE TAPPING BOLT	1				
42	51116-149	HANDLE BRACKET	1				
43	51116-150	HANDLE BRACKET	1				
44	31057-255	HEXAGON BOLT (M8x25)	4				
45	512L0800	HEXAGON NUT	4				
46	11113-408	STAY	2				
47	512L0800	HEXAGON NUT	2				
48	31057-181	HEXAGON BOLT	2				
49	342L0612	FLANGE TAPPING BOLT	4				
50	11113-415	STAY	2				
52	71008-472	GEAR CASE ASS'Y	1				
53	711V0522	SPRING PIN	2				
54	11083-387	COLLAR	1				
55	733L1000	SNAP PIN	1				
60	94401-16150	WOODRUFF KEY (16x15)	1				



9.6" AI-WHEEL

(A): LM5360HXA-PRO

Brand: KAAZ

Date: 7-Mar-2014

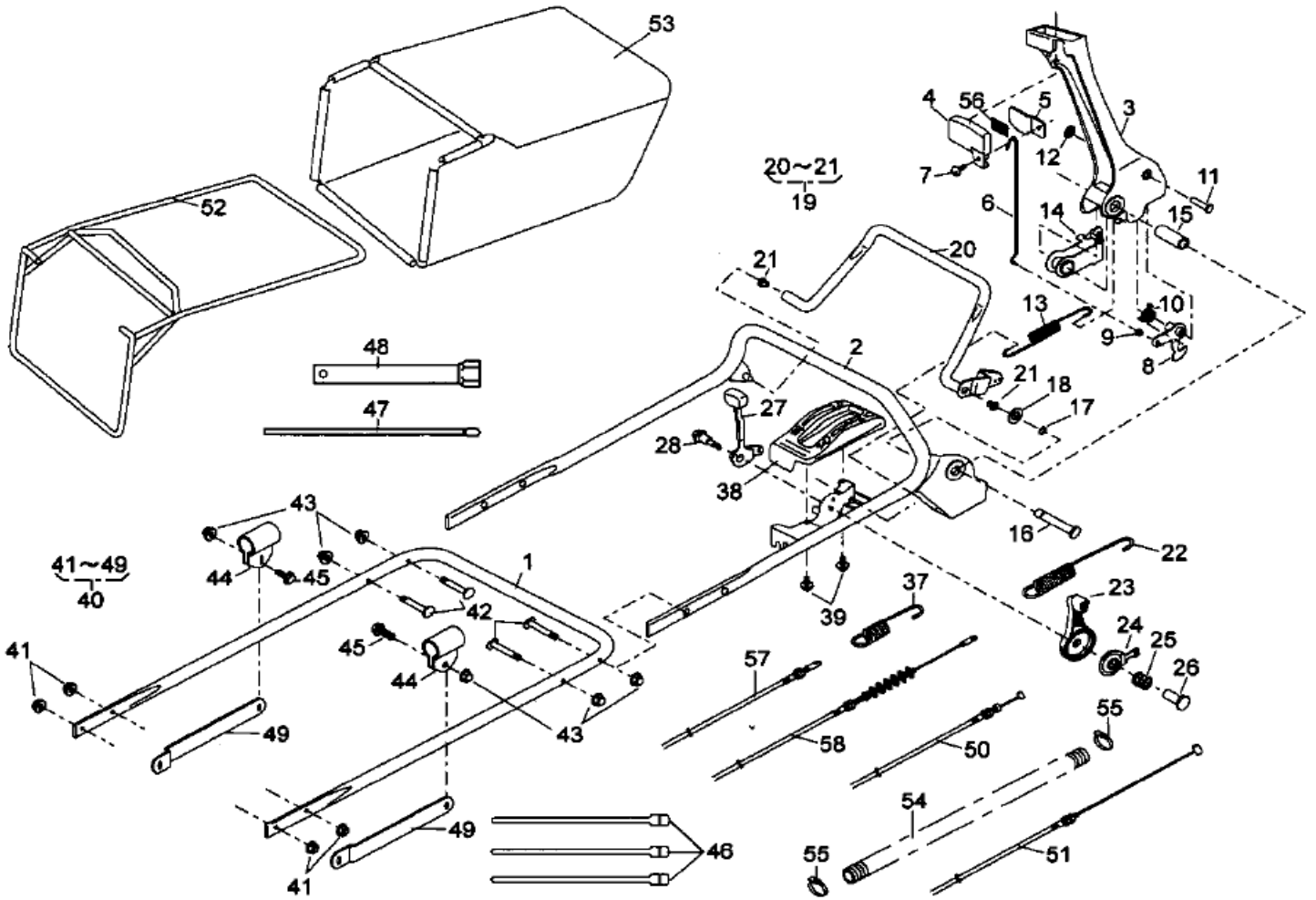
(B):

P.cd: 620479

Revision: 00

(C):

Ref.No	Parts.No	Parts.Name	Q'ty			Remarks	Recomm(%) Lot.100
			(A)	(B)	(C)		
1	71041-144	WHEEL ASS'Y	2				
2	91086-116	TIRE	2				
4	916B6002	BEARING (6002DDC3)	4				
5	11086-119	STOPPER	2				
6	61003-112	THRUST PLATE	2				
7	31034-137	PIN	2				
8	68036-270	WASHER (15.2x26x1.6)	2				
9	68036-146	WASHER (16x31.5x1.0)	2				
10	71158-104	RATCHET ASS'Y	1				
11	11102-235	HOLDER	1				
12	31034-170	PIN	2				
13	68013-266	SPRING	1				
14	71158-103	RATCHET ASS'Y	1				
15	11102-235	HOLDER	1				
16	31034-170	PIN	2				
17	68013-266	SPRING	1				
18	68036-275	WASHER (15.2x26x3.2)	2				
19	31057-181	HEXAGON BOLT	2				
20	68036-101	WASHER (9x25x2.3)	2				
21	11006-151	STAY C.P.	1				
22	11006-152	STAY C.P.	1				
23	342L0612	FLANGE TAPPING BOLT	2				
24	31057-255	HEXAGON BOLT (M8x25)	2				
25	584L0800	U-FLANGE NUT	2				
26	71122-110	ADJUSTER ASS'Y	1				
27	11142-125	ADJUSTER	1				
28	11102-228	HOLDER	1				
29	916B6202	BEARING (6202DDC3)	1				
30	71122-111	ADJUSTER ASS'Y	1				
31	11142-126	ADJUSTER	1				
32	11102-228	HOLDER	1				
33	916B6202	BEARING (6202DDC3)	1				
34	11150-105-09	ADJUST LEVER	2				
35	36061-121	KNOB	2				
36	613L0800	PLAIN WASHER	2				
37	569L0800	FLANGE NYLON NUT	2				
38	71041-145	WHEEL ASS'Y	2				
39	91086-116	TIRE	2				
41	916B6002	BEARING (6002DDC3)	4				
43	51113-119	RING	2				
44	31057-181	HEXAGON BOLT	2				
45	68036-101	WASHER (9x25x2.3)	2				
46	11006-153	STAY C.P.	1				
47	11006-154	STAY C.P.	1				
48	11153-112	BUMPER	1				
49	335L0625	FLANGE BOLT	6				
50	569L0600	FLANGE NYLON NUT	6				
51	11142-127	ADJUSTER	1				
52	11142-128	ADJUSTER	1				
53	11150-109-09	ADJUST LEVER	2				
54	36061-121	KNOB	2				
55	68036-101	WASHER (9x25x2.3)	2				
56	31058-176	NUT	2				
57	68013-393	SPRING	4				



HANDLE-PRO

(A): LM5360HXA-PRO

Brand: KAAZ

Date: 7-Mar-2014

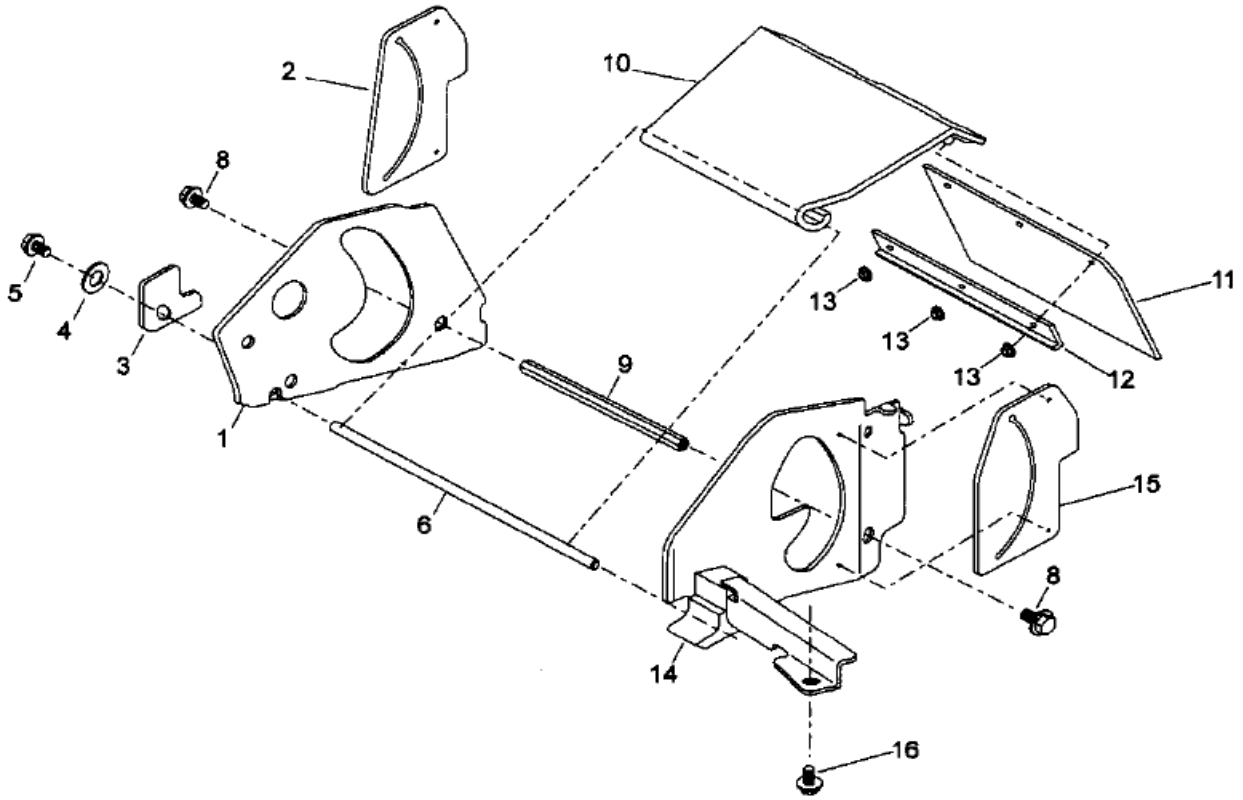
(B):

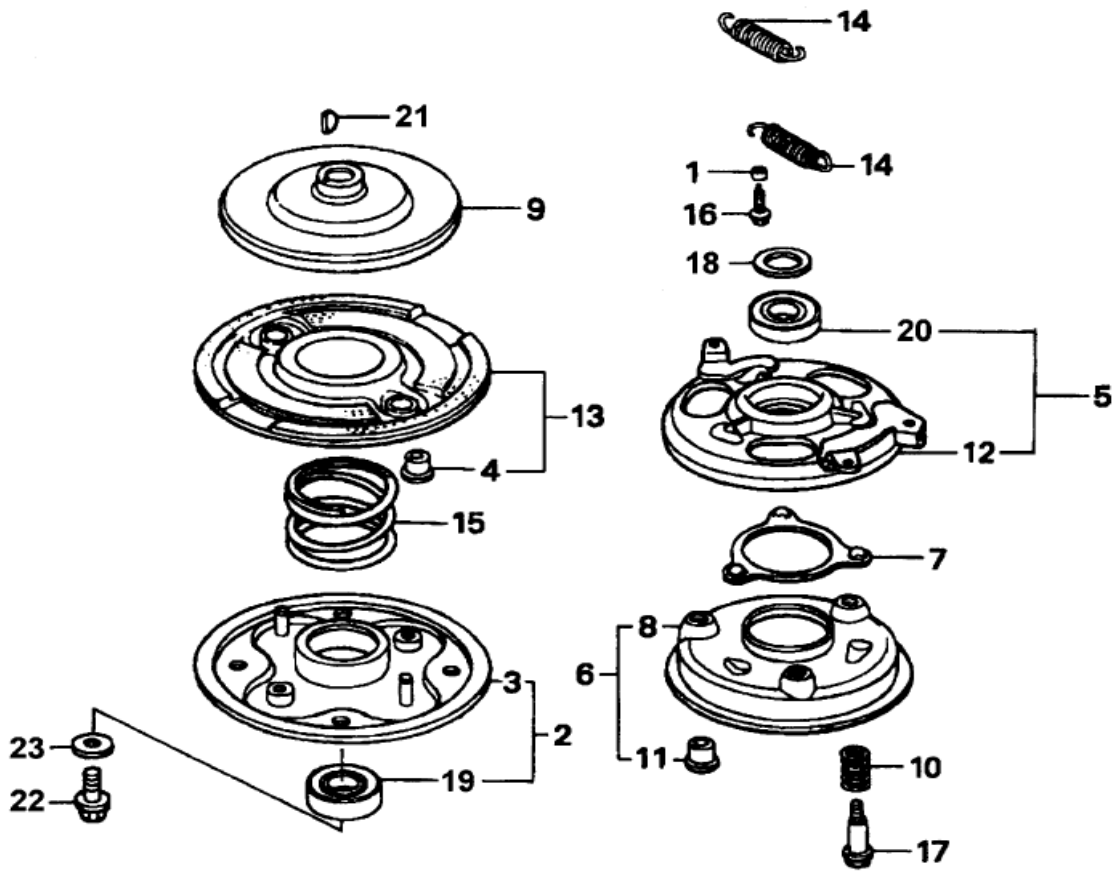
P.cd: 620479

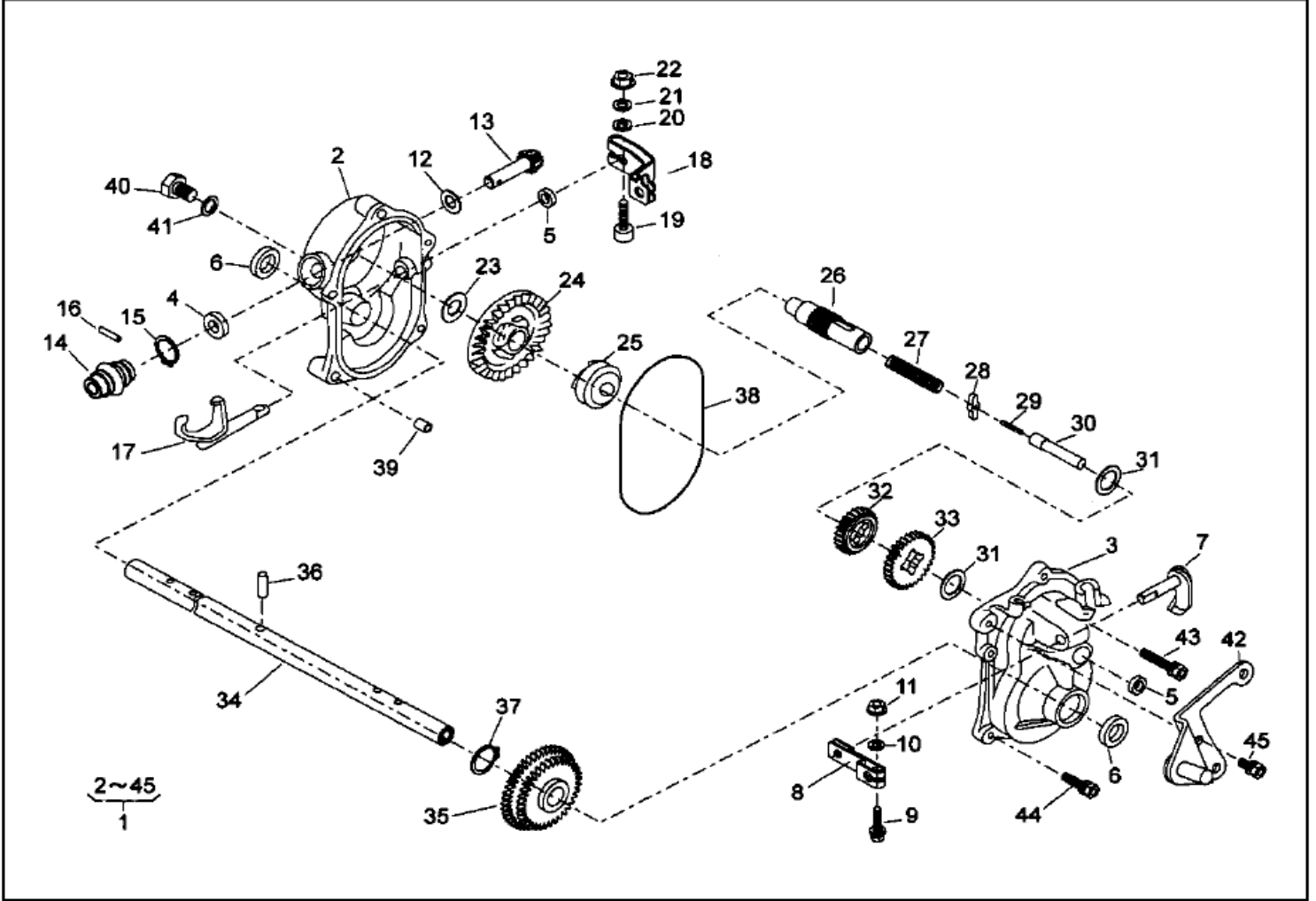
Revision: 00

(C):

Ref.No	Parts.No	Parts.Name	Q'ty			Remarks	Recomm(%) Lot.100
			(A)	(B)	(C)		
1	51027-268-103	HANDLE	1				
2	51027-269-103	HANDLE	1				
3	11095-172	LEVER	1				
4	36110-102	BUTTON	1				
5	11049-109	SLIDE PLATE	1				
6	64014-336	SHAFT	1				
7	376L0612	(+)TRUSS SCREW	1				
8	71203-135	ARM C.P.	1				
9	76007-183	BUSH	1				
10	68013-371	SPRING	1				
11	31056-127	GIB-HEADED PIN	1				
12	576V0600	PUSH NUT	1				
13	68013-392	SPRING	1				
14	11109-111	LINK	1				
15	61023-190	SLEEVE	1				
16	64014-337	SHAFT	1				
17	812V0800	C-SNAP RING	1				
18	613L0800	PLAIN WASHER	1				
19	71161-114-09	LEVER ASS'Y	1				
21	76007-131	BUSH	2				
22	68013-391	SPRING	1				
23	91010-169	THROTTLE LEVER	1				
24	61003-113	THRUST PLATE	1				
25	68013-356	SPRING	1				
26	31058-168	HEXAGON NUT	1				
27	11095-117	LEVER	1				
28	31062-109	PRE-COAT LOCK BOLT	1				
37	68013-161	SPRING	1				
38	71900-796	COVER ASS'Y	1				
39	470L0514	(+)TAPPING SCREW	2				
40	71906-556	BOLT SET	1				
41	569L0800	FLANGE NYLON NUT	4				
42	31057-256	HEXAGON BOLT	4				
43	583L0800	FLANGE CAP NUT	6				
44	11012-132	HANGER BAND	2				
45	31057-181	HEXAGON BOLT	2				
46	68028-118	WIRE BAND (GT280)	3				
47	66008-103	PLUG BOX BAR (8x200)	1				
48	66006-125	BOX SPANNER	1				
49	71900-846	BAR SET	1				
50	91001-329	THROTTLE WIRE	1				
51	91003-169	CONTROL CABLE	1				
52	11062-178	FRAME C.P.	1				
53	36098-132	GRASS BAG C.P.	1				
54	41003-201	TUBE (15.6x800L)	1				
55	68028-119	WIRE BAND (SHT18R-W)	2				
56	36080-156	RUBBER SHEET	1				
57	91003-125	CONTROL CABLE	1				
58	91003-189	CONTROL CABLE	1				







GEAR CASE ASS'Y

Brand:

Date: 11-Mar-2014

(A):

P.cd: 71008-472

Revision: 00

(B):

(C):

Ref.No	Parts.No	Parts.Name	Q'ty			Remarks	Recomm(%) Lot.100
			(A)	(B)	(C)		
1	71008-472	GEAR CASE ASS'Y	1				-
2	51001-195	GEAR CASE	1				
3	51001-196	GEAR CASE	1				
4	61002-161	OIL SEAL (SD10205)	1				
5	61002-162	OIL SEAL (SD08144)	2				
6	61002-163	OIL SEAL (SD15245)	2				
7	64024-104	SHIFTER SHAFT	1				
8	11104-119	ARM	1				
9	320L0525	(+)HEXAGON BOLT (W/PW)	1				
10	611L0500	PLAIN WASHER	1				
11	571L0500	FLANGE NUT	1				
12	61003-109	THRUST PLATE	1				
13	78003-136	PINION	1				
14	91097-101	UNIVERSAL JOINT	1				
15	812V2000	C-SNAP RING	1				
16	717B0418	PARALLEL PIN	1				
17	11097-106	SHIFTER FORK	1				
18	11104-137	ARM	1				
19	419U0630	SOCKET SCREW	1				
20	611L0600	PLAIN WASHER	1				
21	661L0600	SPRING LOCK WASHER	1				
22	512L0600	HEXAGON NUT	1				
23	61003-122	THRUST PLATE	1				
24	78001-189	BEVEL GEAR	1				
25	11129-118	CLUTCH	1				
26	64014-236	SHAFT	1				
27	68013-262	SPRING	1				
28	31034-199	PIN	1				
29	736U0320	SPRING PIN	1				
30	64014-235	SHAFT	1				
31	61024-118	SPACER	2				
32	78004-156	GEAR	1				
33	78004-155	GEAR	1				
34	64014-344	SHAFT	1				
35	78012-107	GEAR C.P.	1				
36	31034-150	PIN	1				
37	812V2200	C-SNAP RING	1				
38	214B11000	O-RING (S110)	1				
39	11083-201	COLLAR	2				
40	31057-262	HEXAGON BOLT	1				
41	68001-110	FIBER WASHER	1				
42	11006-191	STAY C.P.	1				
43	315L0625	(+)HEXAGON BOLT (W/PW,SW)	3				
44	315L0635	(+)HEXAGON BOLT (W/PW,SW)	2				
45	318L0612	(+)HEXAGON BOLT (W/SW)	1				